



Handle with masking frame standard Size 75x 75, for shaft 8x 8, Test-0-I, Handle size 45 mm Accessory for 3KD size 1 and 2, 3KF size 1

Model	
product brand name	SETRON
product designation	handle with masking plate
design of the product	standard
design of handle	Gray
design of the door lock system	Door interlocking
size of cross-section of the shaft of door-coupling rotary operating mechanism	8x8 mm
size format of the masking frame of door-coupling rotary operating mechanism	75x 75 mm
length of handle	45 mm
protection class IP	IP65
suitability for use	for 3KD size 1 and 2, 3KF size 1

Product details	
product description	without lighting
product component	
• extension shaft	No
• handle for emergency-OFF function	No
product feature lockable	Yes
display version for switch position indicator	test-0-I

Mechanical Design	
height	84 mm
width	84 mm
depth	80 mm
net weight	140 g

Approvals Certificates		
General Product Approval	Declaration of Conformity	Test Certificates



[Type Test Certificates/Test Report](#)

Marine / Shipping	other	Environment
-------------------	-------	-------------



[Confirmation](#)

[Miscellaneous](#)

[Environmental Confirmations](#)

Further information

Siemens has decided to exit the Russian market (see here).

<https://press.siemens.com/global/en/pressrelease/siemens-wind-down-russian-business>

Siemens is working on the renewal of the current EAC certificates.

Please contact your local Siemens office on the status of validity of the EAC certification if you intend to import or offer to supply these products to an EAC relevant market (other than the sanctioned EAEU member states Russia or Belarus).

Information on the packaging

<https://support.industry.siemens.com/cs/ww/en/view/109813875>

Information- and Downloadcenter (Catalogs, Brochures,...)

<http://www.siemens.com/lowvoltage/catalogs>

Industry Mall (Online ordering system)

<https://mall.industry.siemens.com/mall/en/en/Catalog/product?mlfb=8UD1771-2AF01>

Service&Support (Manuals, Certificates, Characteristics, FAQs,...)

<https://support.industry.siemens.com/cs/ww/en/ps/8UD1771-2AF01>

Image database (product images, 2D dimension drawings, 3D models, device circuit diagrams, ...)

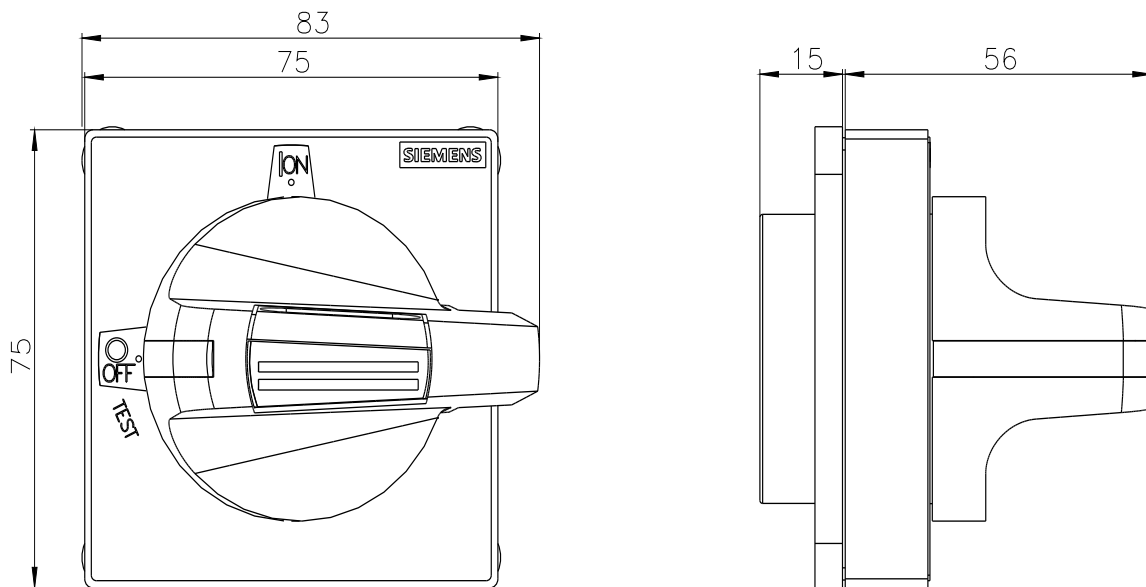
http://www.automation.siemens.com/bilddb/cax_en.aspx?mlfb=8UD1771-2AF01

CAX-Online-Generator

<http://www.siemens.com/cax>

Tender specifications

<http://www.siemens.com/specifications>



last modified:

7/29/2022 

